

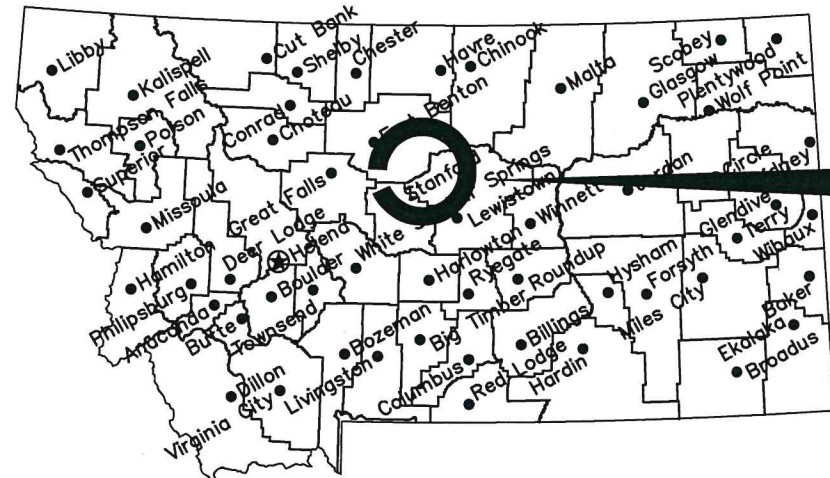
MONTANA FISH, WILDLIFE & PARKS

Beckman WMA

Water Line Extension

near Denton, MT

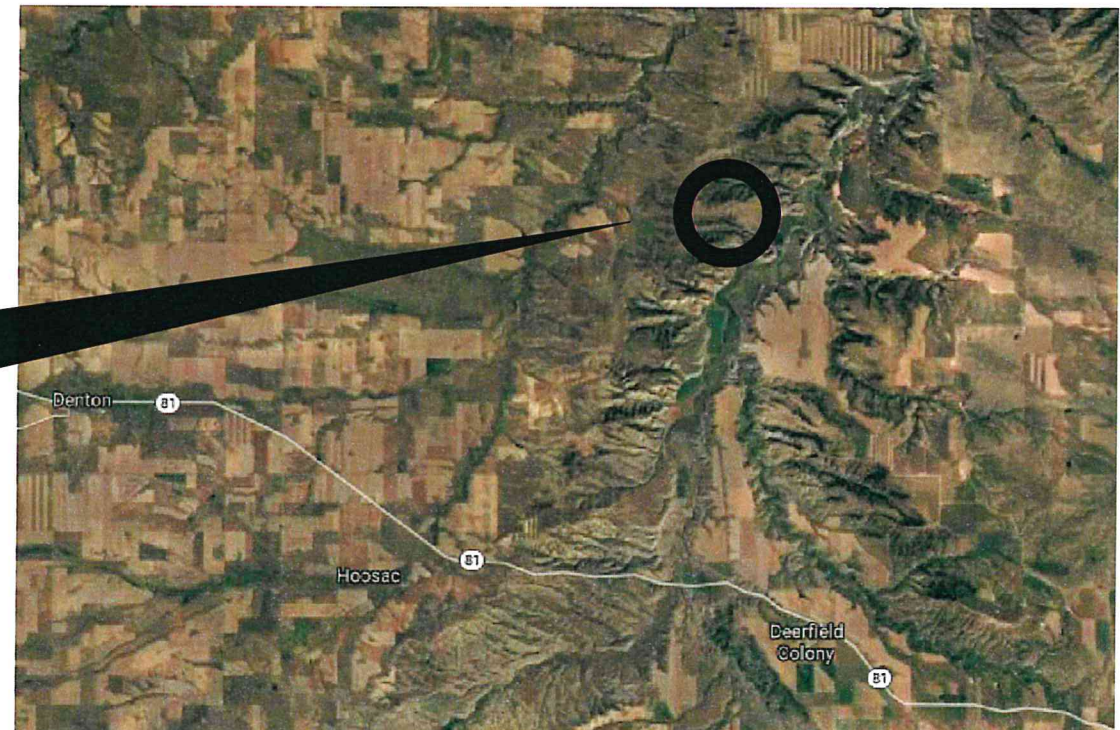
FWP # 7155312



Location Map

No Scale

Project Location



Vicinity Map

No Scale

North



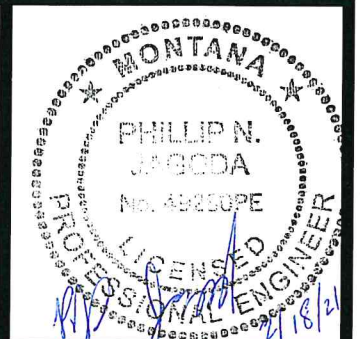
MONTANA FISH, WILDLIFE AND PARKS
DESIGN AND CONSTRUCTION

MAILING ADDRESS: PO BOX 200701
HELENA, MT 59620-0701
TEL 406.841.4000
FAX 406.841.4004
fwp.mt.gov/Doing Business/Design&Construction

PHYSICAL ADDRESS: 1522 9th AVENUE
HELENA, MT 59601

DRAWING INDEX

- 1 COVER
- 2 SUMMARY
- 3 SITE PLAN
- 4 DETAILS
- 5 TANK DETAIL
- 6 MISSILE CABLE MAP



J. Reneger 1/21/2021
DRAWN BY: DATE:

P. Jagoda 1/30/2021
CHECKED BY: DATE:

APPROVED BY: DATE:

APPROVED BY: DATE:

APPROVED BY: DATE:

APPROVED BY: DATE:



**MONTANA FISH,
WILDLIFE & PARKS**

COVER

Beckman WMA Water Line Extension

SHEET: 1 of 6

Estimated Quantities - Beckman WMA Stockwater Line Extension

Item	Description	Quantity	Units
1	Trenching, Backfilling, and Compacting - 6' Bury Depth *	4140	LF
2	1-1/2" Dia HDPE Water Line	4140	LF
3	Attach to Existing Curb Stop	1	EA
4	Curb Stop and "T" Installation	2	EA
5	Curb Stop w/ Drain	1	EA
6	Watering Assembly - Roberts Mfg. Co. Bob Float Model No. R400 - 1	1	EA
7	Air Vent	1	EA
8	1500 Gallon Stock Tank w/ Cattle Guards	1	EA
9	Gravel Base *	12	CY

* FOR INFORMATIONAL PURPOSES ONLY

NOTES:

1. THE CONTRACTOR SHALL BE RESPONSIBLE FOR ADAPTING THE INSTALLED PIPE TO ALL REQUIRED VALVES, PIPES AND FITTINGS. THE EXISTING CURB STOP IS CONSTRUCTED USING HDPE.
2. PIPE BEDDING WILL BE REQUIRED WHERE ROCKS, ROOTS, OR OTHER HARDENED STRUCTURES EXIST AT PIPE INSTALLATION LEVEL.
3. ALL JOINTS SHALL BE HEAT-FUSED BUTT WELDED.
4. EQUIPMENT SHALL NOT LEAK FLUIDS. EQUIPMENT USED SHALL BE POWER WASHED AND BE WEED-FREE BEFORE COMING ON SITE. ENGINEER SHALL INSPECT ALL EQUIPMENT BEFORE COMING ON SITE.
5. THE EXCAVATION TRENCH SHALL NOT EXCEED 24" WIDE AND SHALL BE MOWED PRIOR TO EXCAVATION TO BACKFILL WITH ALL AVAILABLE SPOIL.
6. THE CONTRACTOR SHALL BROADCAST SEED ANY EXCAVATION EXCEEDING 12" IN WIDTH.
7. THERE IS A MISSILE COMMUNICATION CABLE ON THE BECKMAN WMA. FWP DOES NOT BELIEVE THE CABLE IS IN CONFLICT WITH THIS PROJECT.
8. IN ADDITION TO CALLING 811 PRIOR TO EXCAVATION, THE CONTRACTOR SHALL NOTIFY MALMSTROM AIR FORCE BASE TO LOCATE THE CABLE BEFORE EXCAVATION.

J. Renenger 1/21/2021
 DRAWN BY: DATE:
 P. Jagoda 1/30/2021
 CHECKED BY: DATE:

REVISED BY: DATE:
 APPROVED BY: DATE:

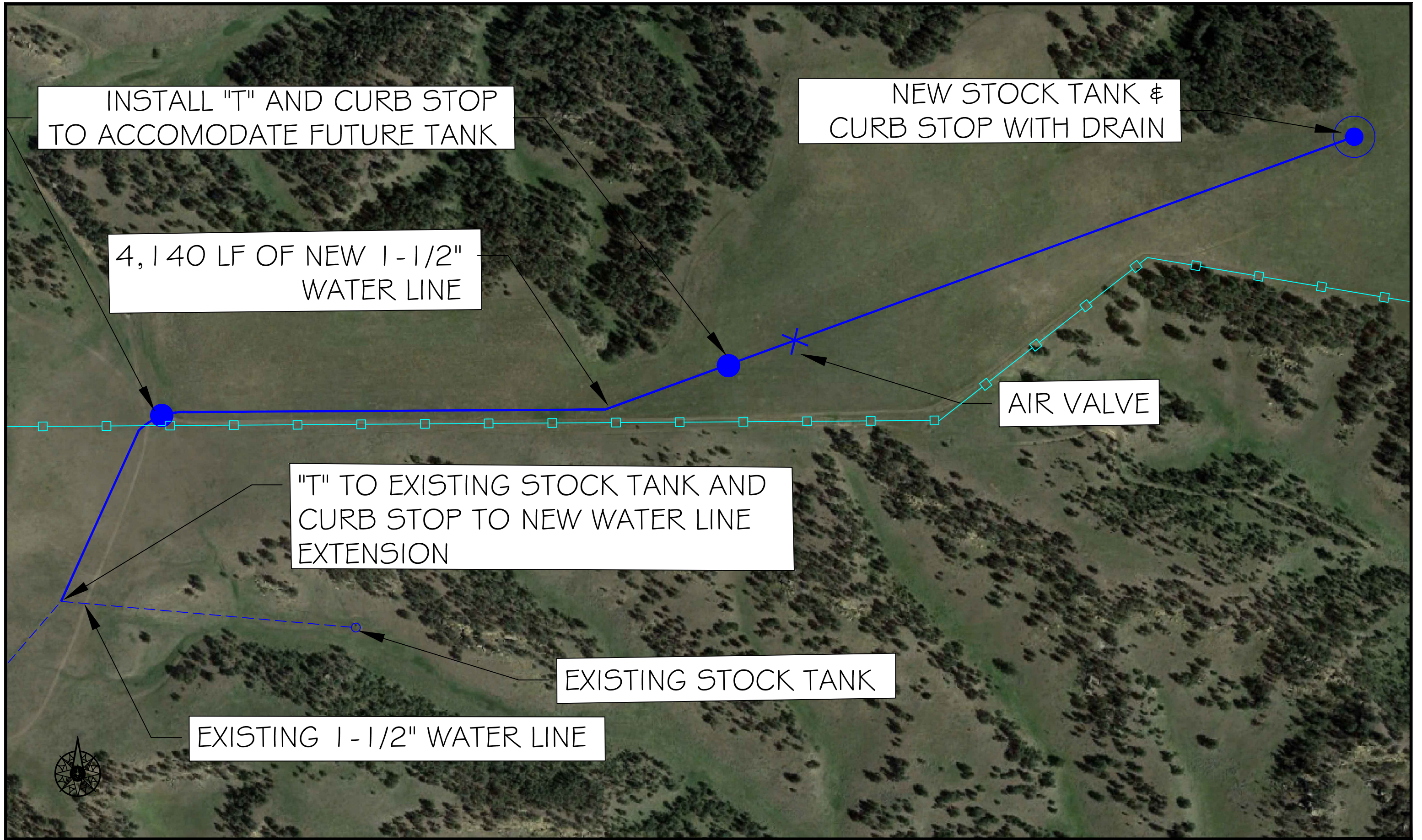
APPROVED BY: DATE:
 APPROVED BY: DATE:



**MONTANA FISH,
 WILDLIFE & PARKS**

SUMMARY
 Beckman WMA Water Line Extension

SHEET: 2
 of 6



INSTALL "T" AND CURB STOP TO ACCOMODATE FUTURE TANK

NEW STOCK TANK & CURB STOP WITH DRAIN

4,140 LF OF NEW 1-1/2" WATER LINE

AIR VALVE

"T" TO EXISTING STOCK TANK AND CURB STOP TO NEW WATER LINE EXTENSION

EXISTING STOCK TANK

EXISTING 1-1/2" WATER LINE



J. Reneger 1/21/2021
 DRAWN BY: DATE:
 P. Jagoda 1/30/2021
 CHECKED BY: DATE:

REVISIED BY: DATE:
 APPROVED BY: DATE:

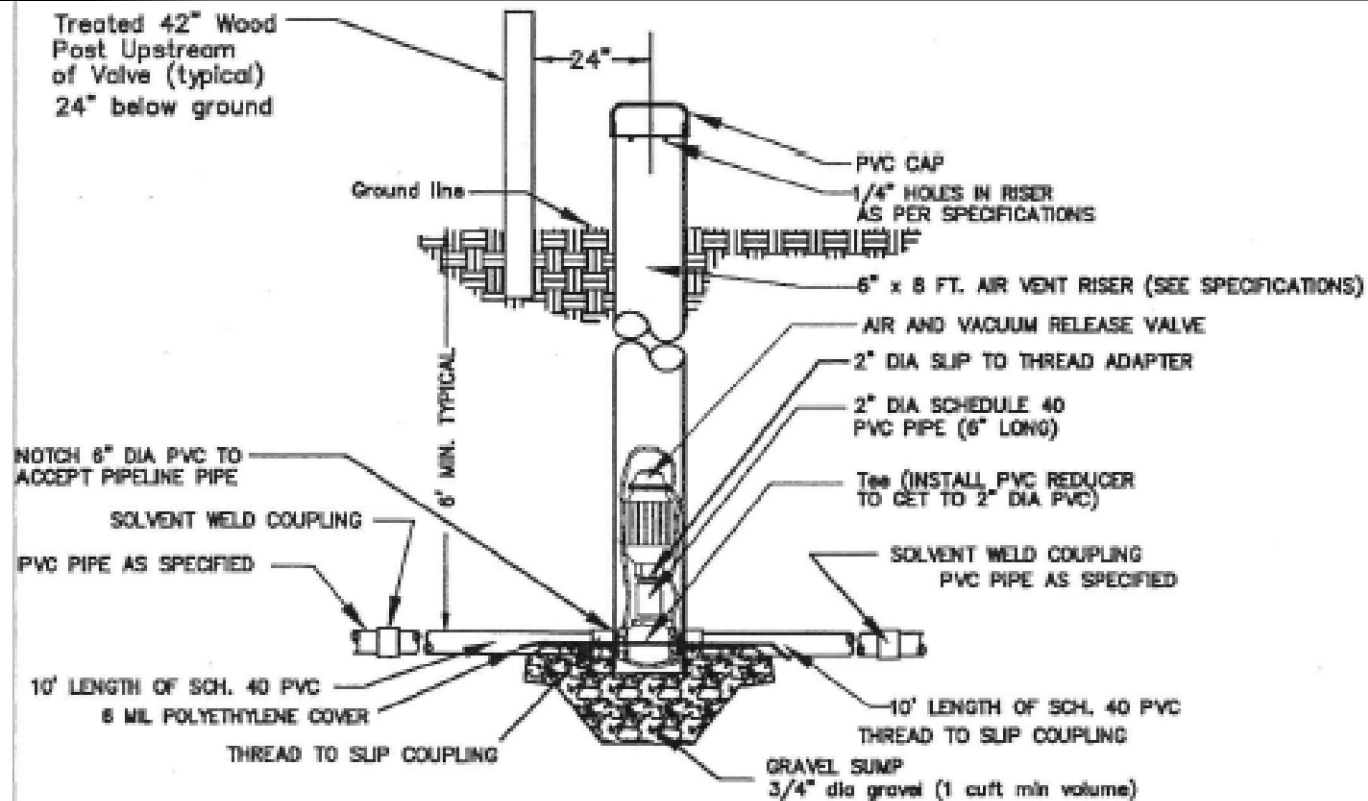
APPROVED BY: DATE:
 APPROVED BY: DATE:



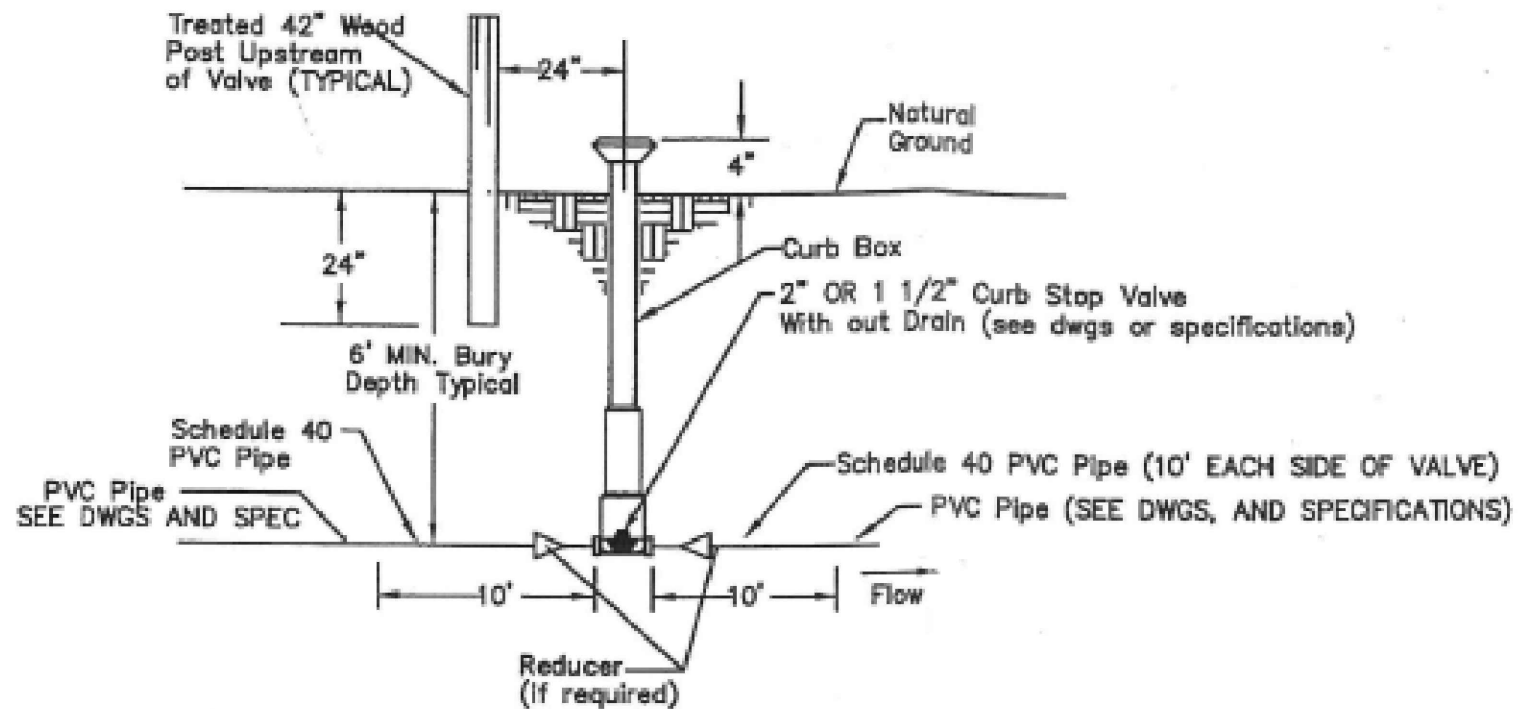
**MONTANA FISH,
 WILDLIFE & PARKS**

SITE PLAN
 Beckman WMA Water Line Extension

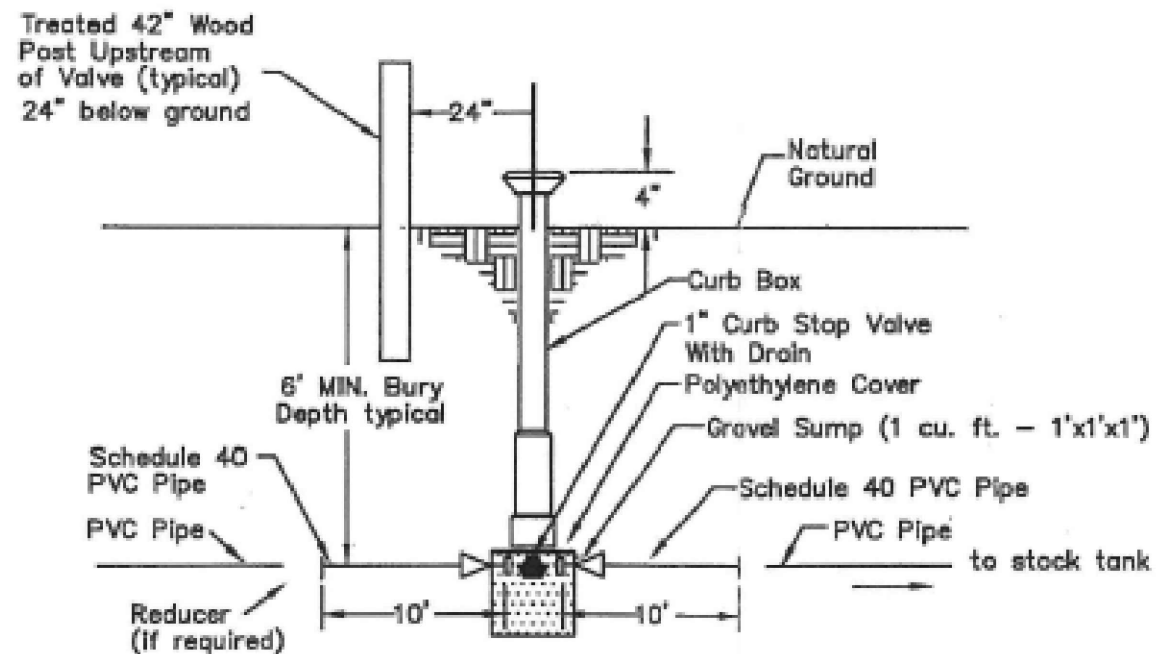
SHEET: 3
 of 6



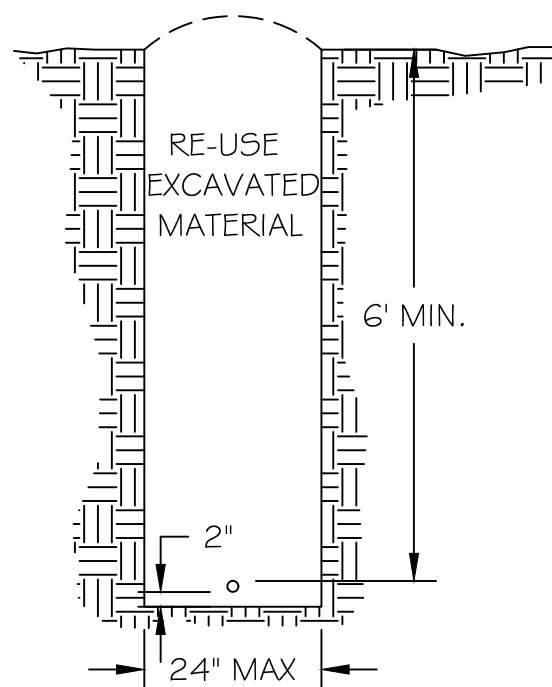
C AIR & VACUUM RELEASE VALVE
16 NOT TO SCALE



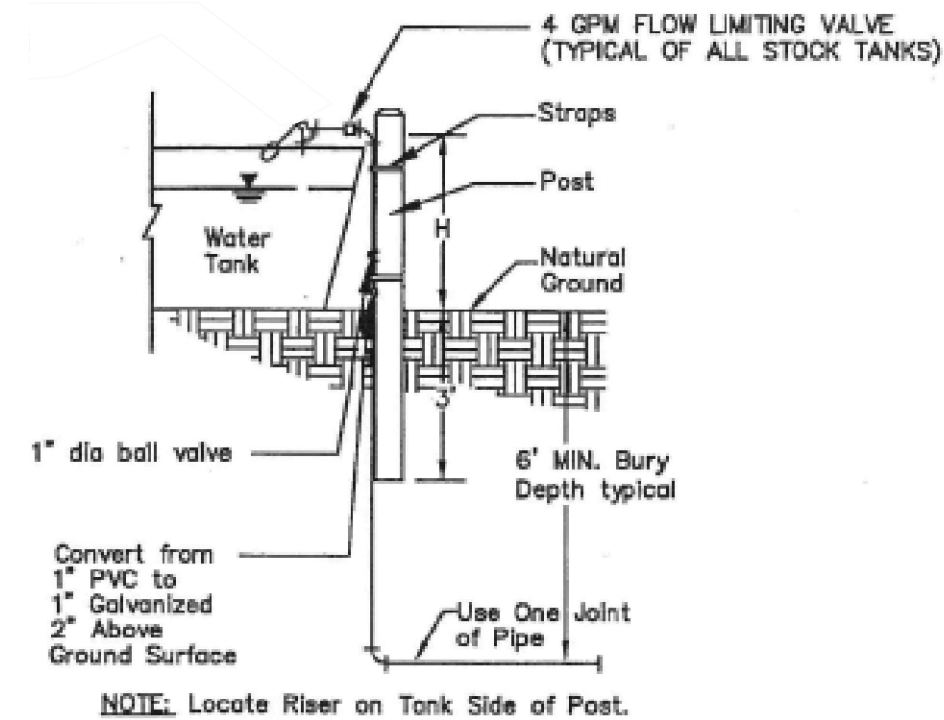
B CURB STOP VALVE
16 NOT TO SCALE



D CURB STOP VALVE w/ DRAIN ASSEMBLY
16 NOT TO SCALE



TYPICAL TRENCH DETAIL
ALTERNATIVE INSTALLATION METHODS
WILL BE CONSIDERED



A WATERING ASSEMBLY
16 NOT TO SCALE

J. Reneger 1/21/2021
DRAWN BY: DATE:
P. Jagoda 1/30/2021
CHECKED BY: DATE:

REVISED BY: DATE:
APPROVED BY: DATE:

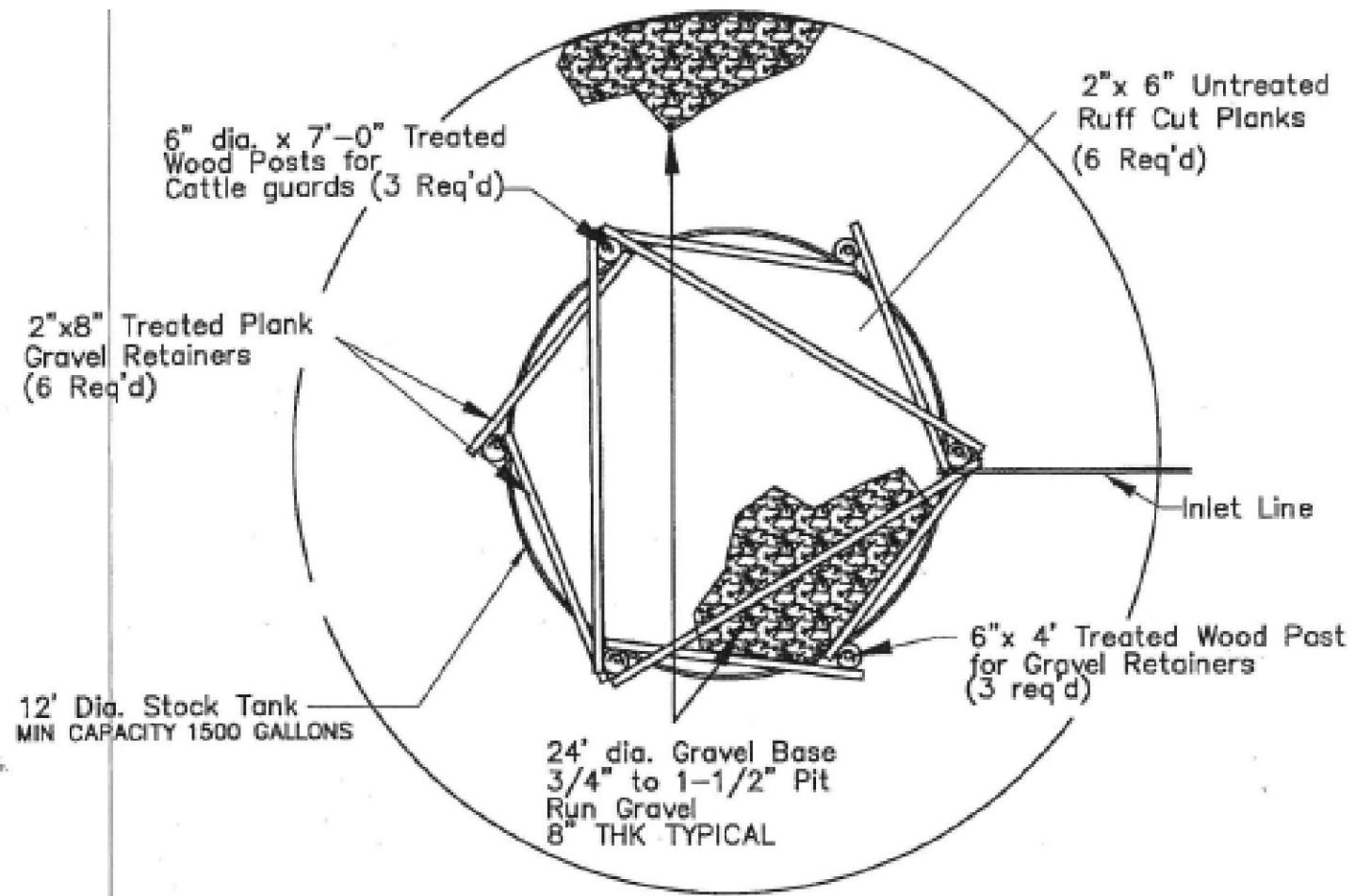
APPROVED BY: DATE:
APPROVED BY: DATE:



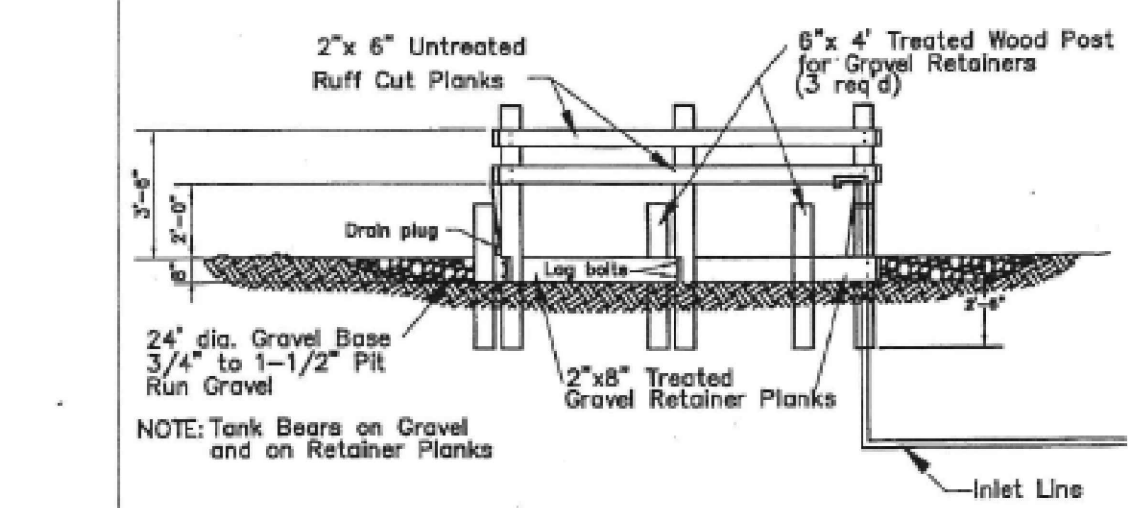
**MONTANA FISH,
WILDLIFE & PARKS**

DETAILS
Beckman WMA Water Line Extension

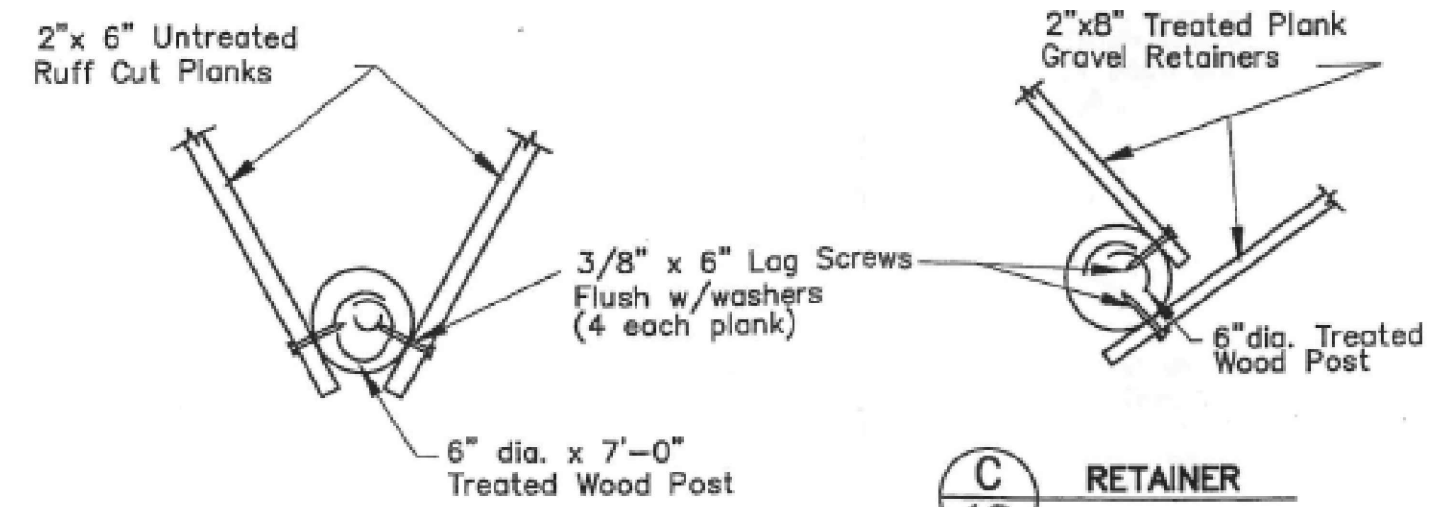
SHEET: 4
of 6



A TANK INSTALLATION
18 NOT TO SCALE

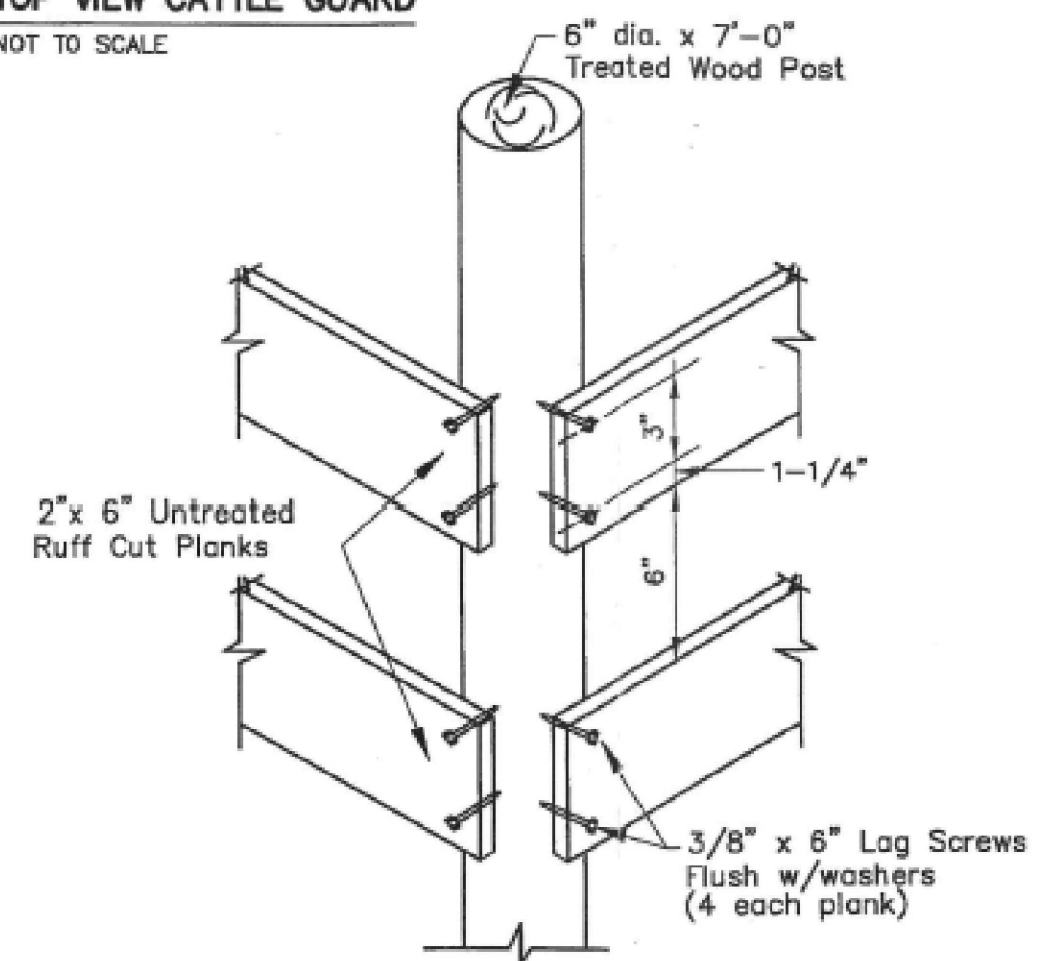


D TANK AND GUARD ELEVATION
18 NOT TO SCALE



B TOP VIEW CATTLE GUARD
18 NOT TO SCALE

C RETAINER
18 NOT TO SCALE



E ELEVATION CATTLE GUARD
18 NOT TO SCALE

J. Reneger DRAWN BY:	1/21/2021 DATE:	REVISOR BY:	DATE:	APPROVED BY:	DATE:
P. Jagoda CHECKED BY:	1/30/2021 DATE:	APPROVED BY:	DATE:	APPROVED BY:	DATE:



**MONTANA FISH,
WILDLIFE & PARKS**

STOCK TANK DETAIL
Beckman WMA Water Line Extension

SHEET: 5
of 6

APPROXIMATE MISSILE CABLE LOCATION
ACTUAL LOCATION TO BE VERIFIED BY CONTRACTOR

WATER LINE INSTALLATION

ACCESS ROAD



J. Renenger 1/21/2021
DRAWN BY: DATE:
P. Jagoda 1/30/2021
CHECKED BY: DATE:

REVISOR: DATE:
APPROVED BY: DATE:

APPROVED BY: DATE:
APPROVED BY: DATE:



**MONTANA FISH,
WILDLIFE & PARKS**

MISSILE CABLE MAP
Beckman WMA Water Line Extension

SHEET: 6
of 6