

Project Location



MONTANA FISH,
WILDLIFE & PARKS

SPOTTED DOG WMA 2021 BOUNDARY FENCING PROJECT

FWP PROJECT #7115701

SHEET INDEX

1. Title Sheet
2. Overall Site
3. Site Plan Segments
4. Site Plan Segment A-B
5. Construction Sheet C-D
6. Fencing Details
7. Fencing Details
8. Fencing Details

MONTANA FISH, WILDLIFE AND PARKS
DESIGN AND CONSTRUCTION

MAILING ADDRESS:

PO BOX 200701
HELENA, MT 59620-0701

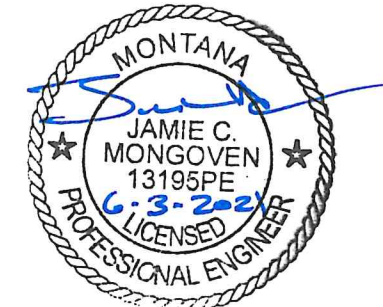
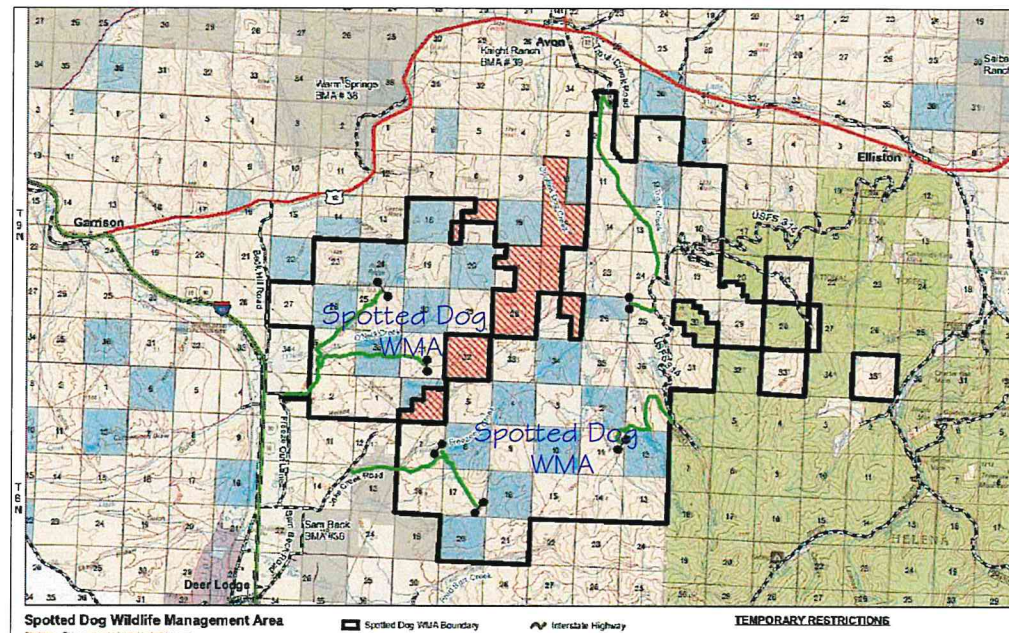
PHYSICAL ADDRESS:

1522 9th AVENUE
HELENA, MT 59601

TEL 406.841.4000

FAX 406.841.4004

fwp.mt.gov/Doing Business/Design&Construction



J. Mongoven 9/2018

DRAWN BY: DATE:

REVISED BY: DATE:

APPROVED BY: DATE:

CHECKED BY: DATE:

APPROVED BY: DATE:

APPROVED BY: DATE:

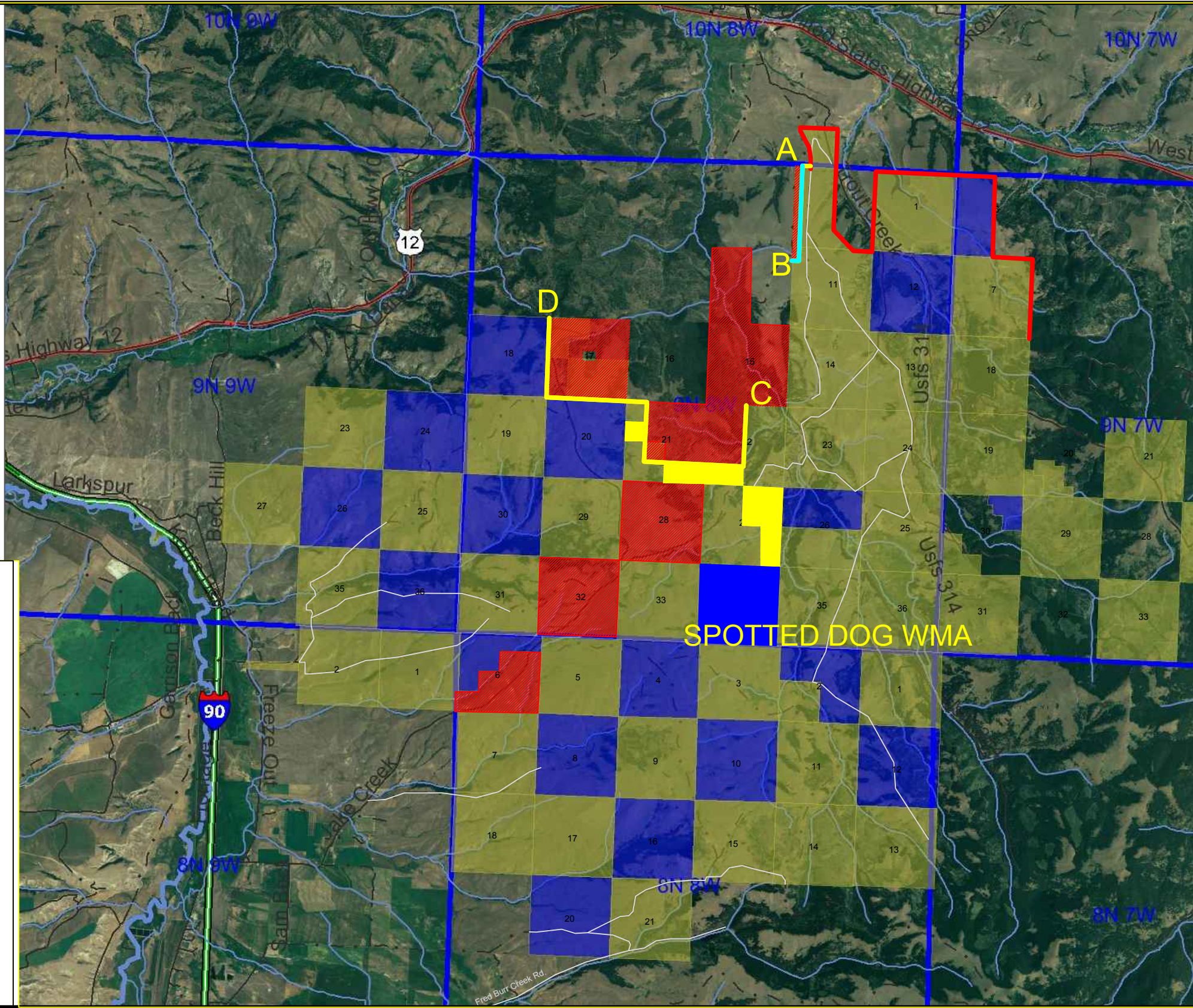


Montana Fish,
Wildlife & Parks

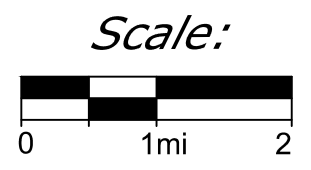
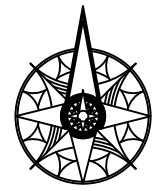
Title Sheet

Spotted Dog WMA (near Avon, MT)

SHEET: 1 of 8



- EXPLANATION**
- Existing Features
- Private Parcel
 - Access Roads
- Proposed Features
- New Boundary Fence
 - Segment A-B
 - Segment C-D

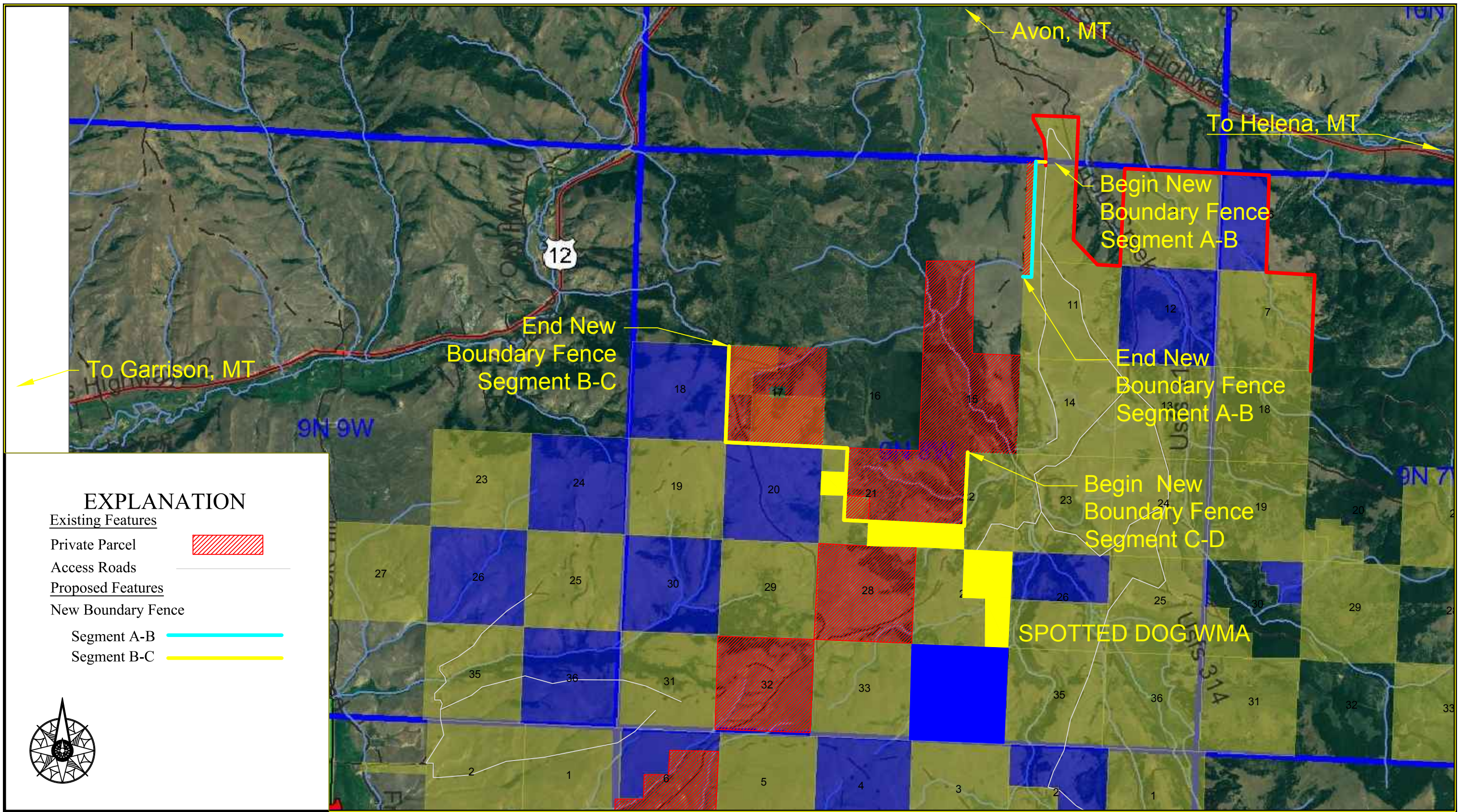


J. Mongoven	6/2017				
DRAWN BY:	DATE:	REVISED BY:	DATE:	APPROVED BY:	DATE:
CHECKED BY:	DATE:	APPROVED BY:	DATE:	APPROVED BY:	DATE:



Overall Site Plan
Spotted Dog WMA (near Avon, MT)

SHEET: **2**
 of **8**



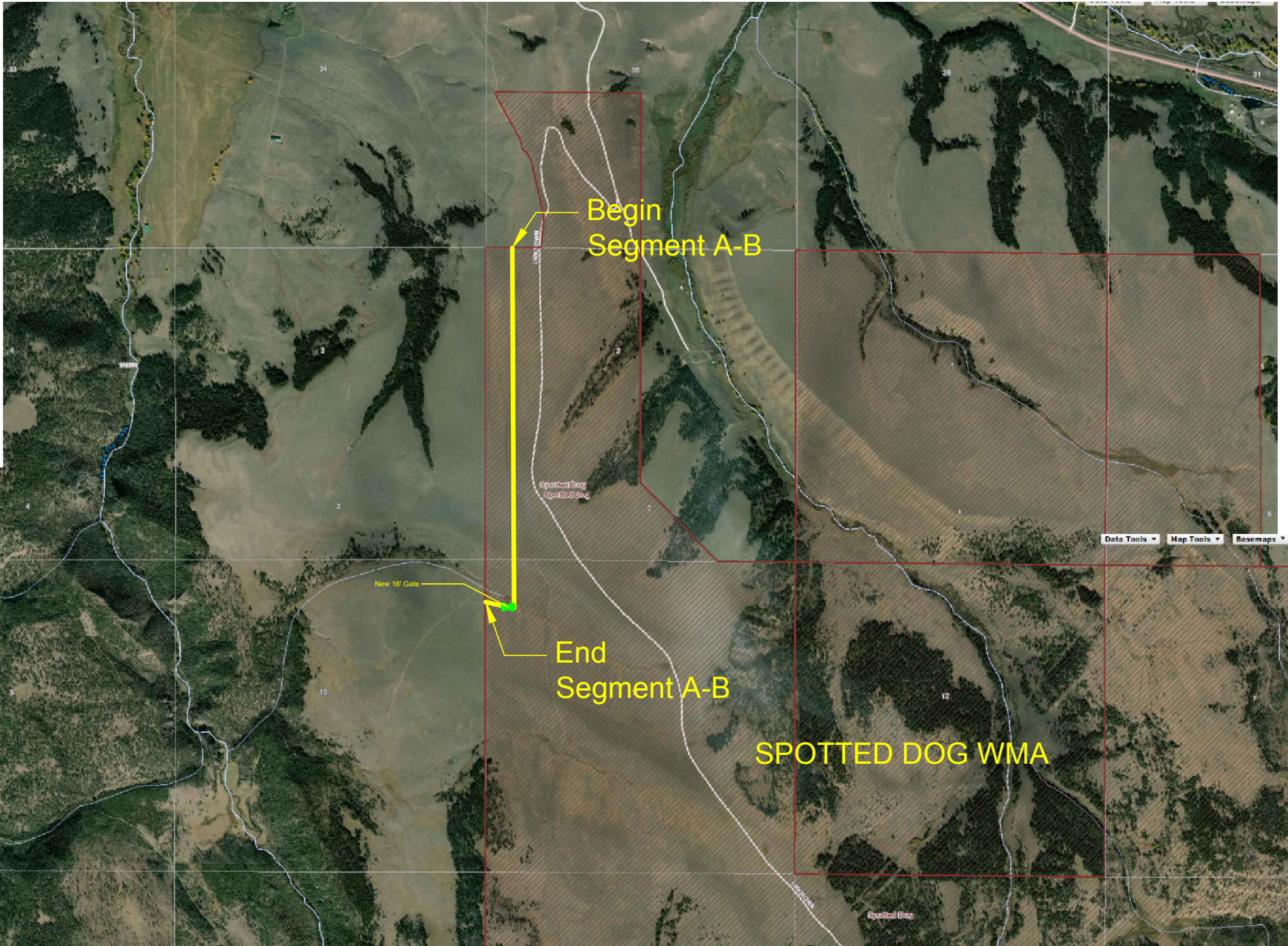
J. Mongoven 9/2018
 DRAWN BY: DATE: REVISIED BY: DATE: APPROVED BY: DATE:
 CHECKED BY: DATE: APPROVED BY: DATE: APPROVED BY: DATE:

REVISIED BY: DATE: APPROVED BY: DATE:
 APPROVED BY: DATE: APPROVED BY: DATE:



Site Plan Segments
 Spotted Dog WMA (near Avon, MT)

SHEET: **3**
 of **8**



EXPLANATION

Existing Features

Access Roads _____

Proposed Features

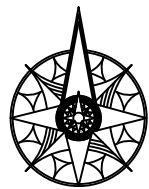
New Boundary Fence

New 4 Wire Steel Fence ———

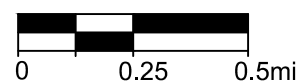
Remove Ex Fence ———

New 16' Wire Gate ⊕

New 24' Stream Crossing ⊕



Scale:



J. Mongoven 9/2018
 DRAWN BY: DATE: REVISOR BY: DATE:
 CHECKED BY: DATE: APPROVED BY: DATE:

REVISOR BY: DATE:
 APPROVED BY: DATE:

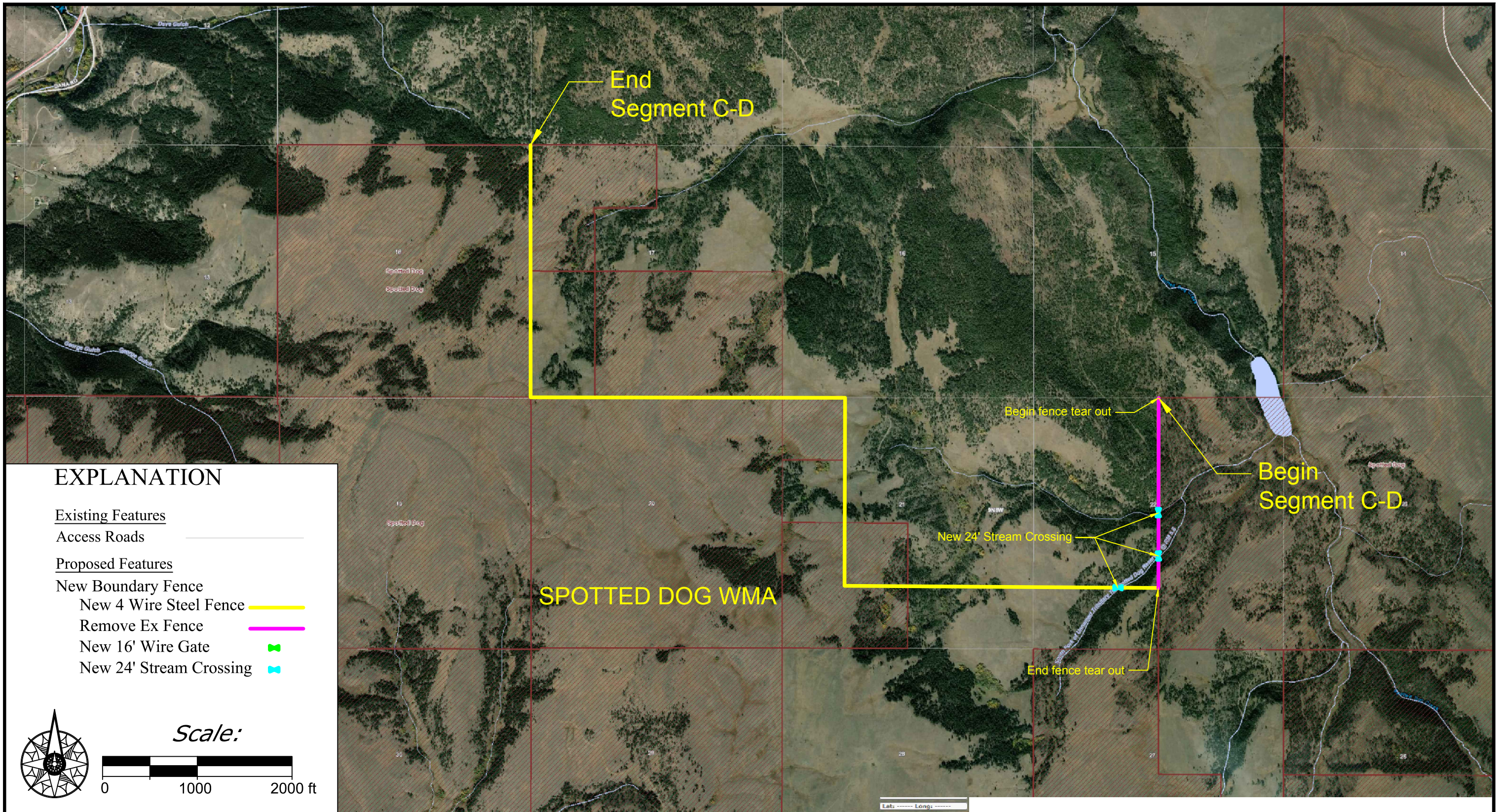
APPROVED BY: DATE:
 APPROVED BY: DATE:



**Montana Fish,
 Wildlife & Parks**

Site Plan Segment A-B
 Spotted Dog WMA

SHEET: 4
 of 8

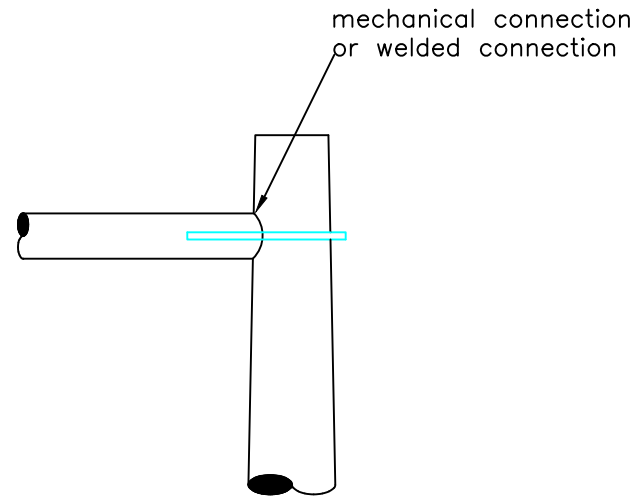


J. Mongoven DRAWN BY:	9/2018 DATE:	REVISED BY:	DATE:	APPROVED BY:	DATE:
CHECKED BY:	DATE:	APPROVED BY:	DATE:	APPROVED BY:	DATE:

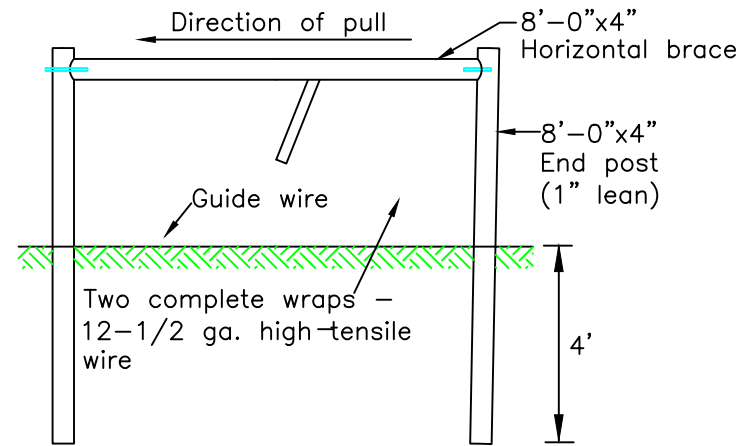


**Site Plan Segment C-D
Spotted Dog WMA**

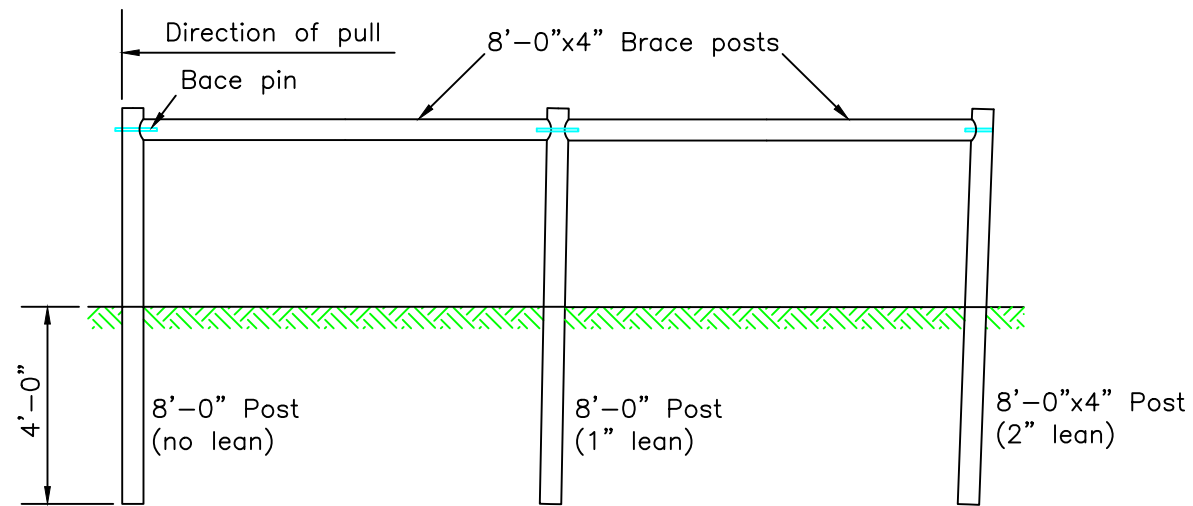
SHEET: **5**
of **8**



Metal Post Fastening Detail

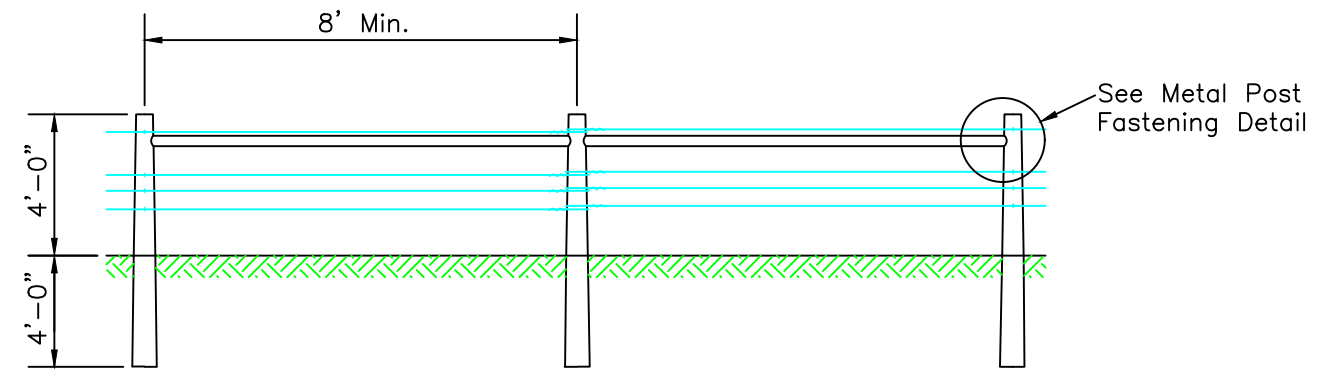


Metal Single-Span Brace Assembly
(single panel)



Metal Double-Span Brace Assembly
(double panel)

located at each end of gates
and at corners, each direction



Metal Double-Brace Double-Sided Pull Assembly

J. Mongoven 9/2018
DRAWN BY: DATE:
CHECKED BY: DATE:

REVISED BY: DATE:
APPROVED BY: DATE:

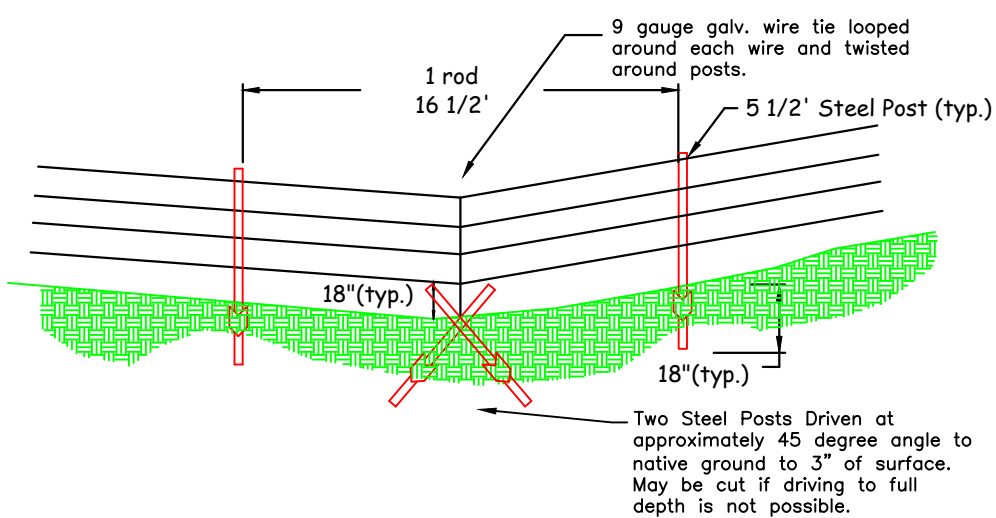
APPROVED BY: DATE:
APPROVED BY: DATE:



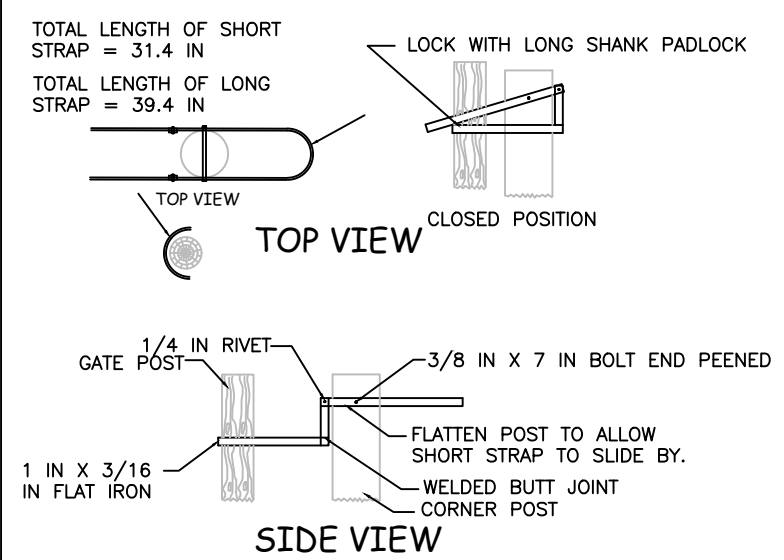
**Montana Fish,
Wildlife & Parks**

Fencing Details
Spotted Dog WMA (near Avon, MT)

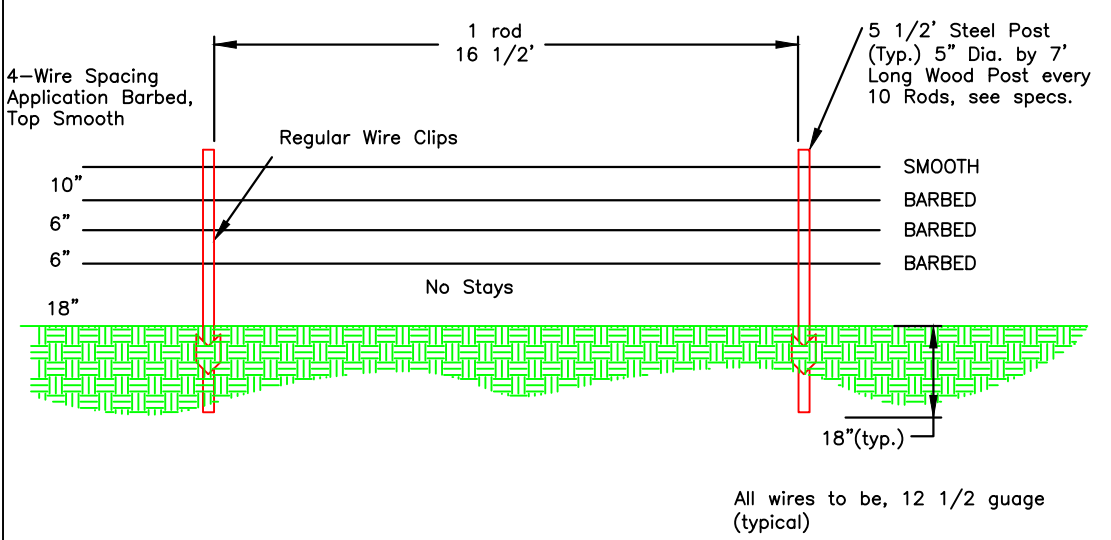
SHEET: 6
of 8



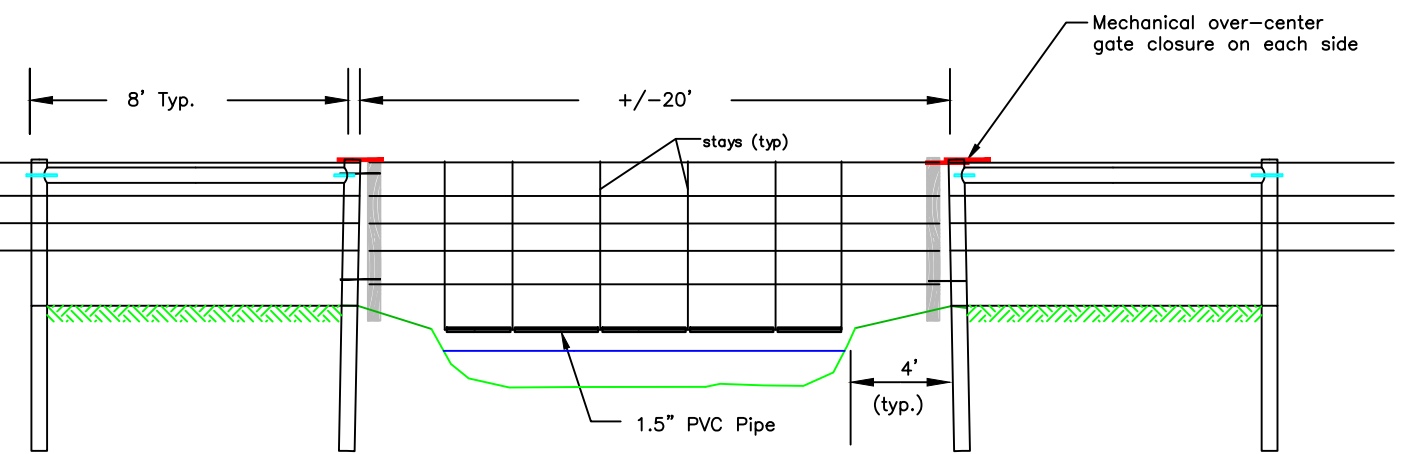
Typical Deadman Anchor Detail



Gate Closure Detail

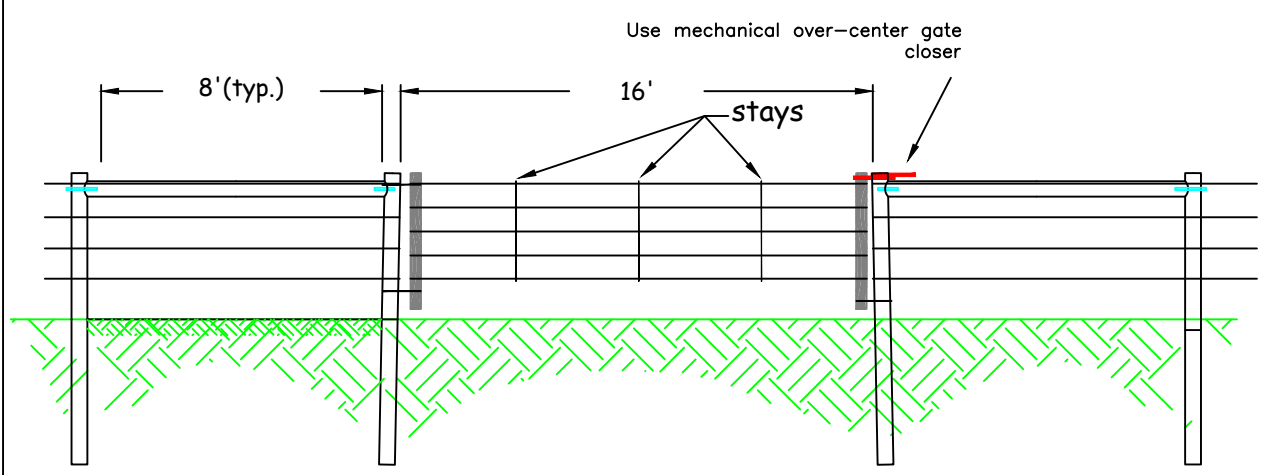


Line Post



Stream Crossing

NOTES:
 Extend stays to bottom wire attached to posts, creating a hinge point to pass debris beneath or through bottom wires of stream crossing through 1.5" PVC pipe between stays Bottom wire to be 1 ft above water elevation



Wire Gate (5 Strand)

NOTES:
 All Gate Wire to be Double Strand Smooth. Not To Scale

J. Mongoven	9/2018				
DRAWN BY:	DATE:	REVISED BY:	DATE:	APPROVED BY:	DATE:
CHECKED BY:	DATE:	APPROVED BY:	DATE:	APPROVED BY:	DATE:

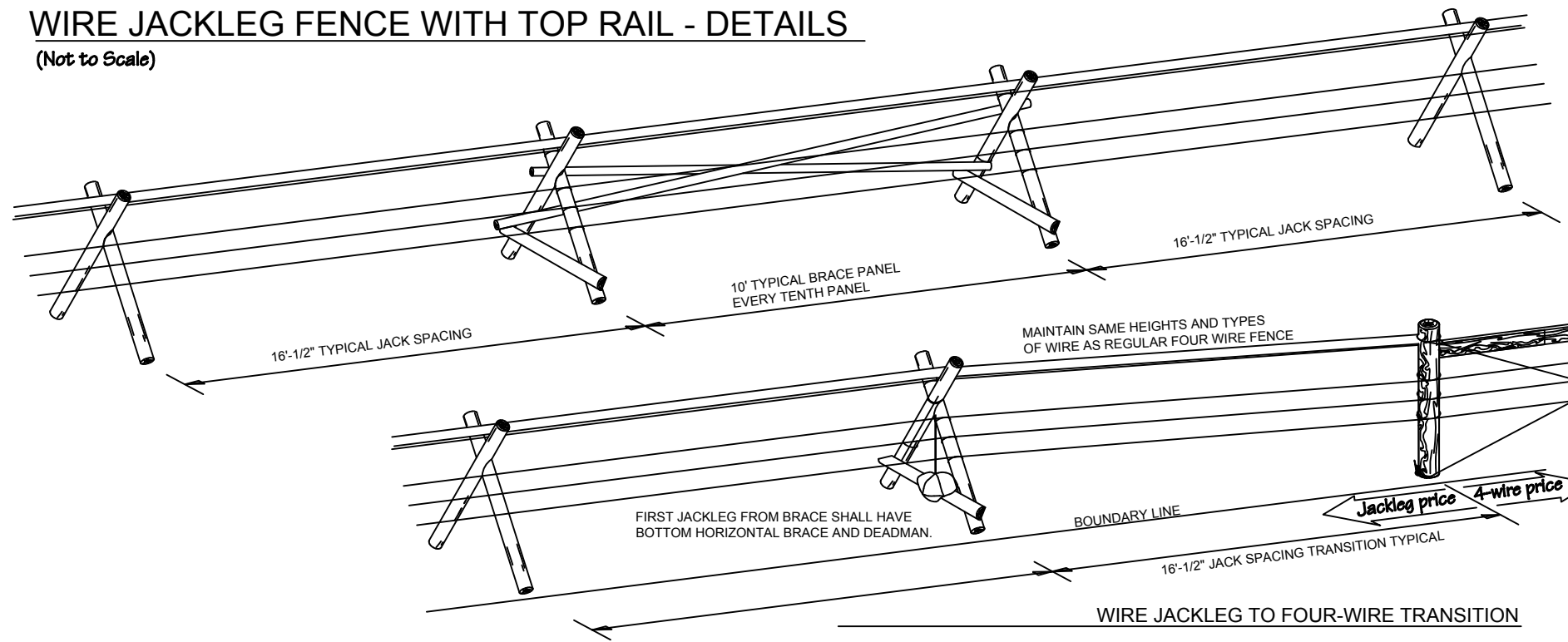


Fencing Details
 Spotted Dog WMA (near Avon, MT)

SHEET: 7 of 8

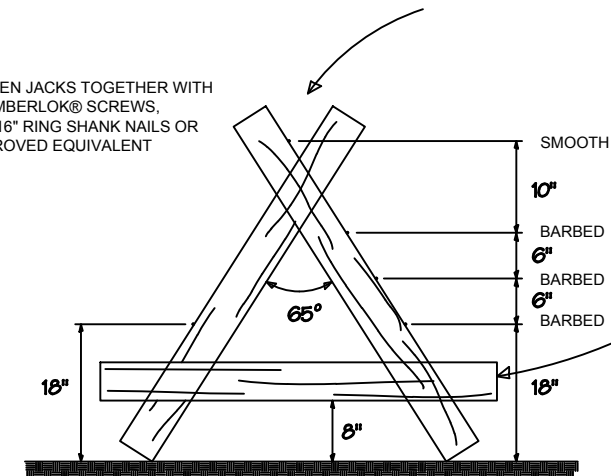
WIRE JACKLEG FENCE WITH TOP RAIL - DETAILS

(Not to Scale)



JACK POSTS MIN. 5" DIA., 52" LONG, PEELED, MACHINED NOTCHED AND BUTT TREATED PER AWPA STANDARDS

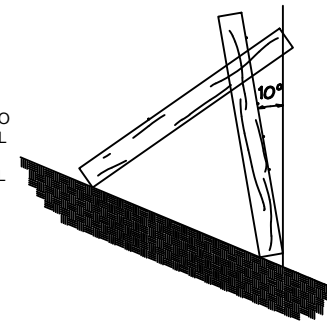
FASTEN JACKS TOGETHER WITH 8" TIMBERLOK® SCREWS, 7"x5/16" RING SHANK NAILS OR APPROVED EQUIVALENT



BRACE PANEL JACKS SHALL HAVE A NOTCHED FULL ROUND POST OR SPLIT POST AT BOTTOM TO PREVENT JACK FROM SPREADING AND TO ADD RIGIDITY

TOP WIRE TO BE TWO STRAND, TWISTED SMOOTH WIRE. BOTTOM 4 WIRES TO BE 2 STRAND TWISTED BARBED WIRE. SPACING FROM GROUND SHOULD BE 18"6"/6"/10"

ANGLE OF FENCE FACE SHALL NOT BE STEEPER THAN 10 DEGREES FROM VERTICAL. IF FACE IS TOO STEEP, REAR POST SHALL BE CUT OFF AT BOTTOM AND CUT SURFACE SHALL BE PAINTED WITH WOOD PRESERVATIVE AS PER AWPA STANDARDS.



J. Mongoven	9/2018				
DRAWN BY:	DATE:	REVISED BY:	DATE:	APPROVED BY:	DATE:
CHECKED BY:	DATE:	APPROVED BY:	DATE:	APPROVED BY:	DATE:



Montana Fish, Wildlife & Parks

Fencing Details
Spotted Dog WMA (near Avon, MT)

SHEET: 8 of 8