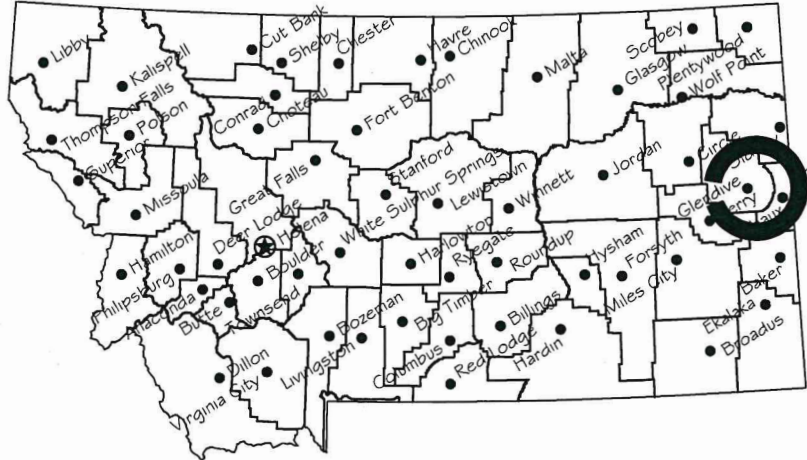


PROPOSED YURT INSTALLATION AT MAKOSHIKA STATE PARK

DAWSON COUNTY, MONTANA

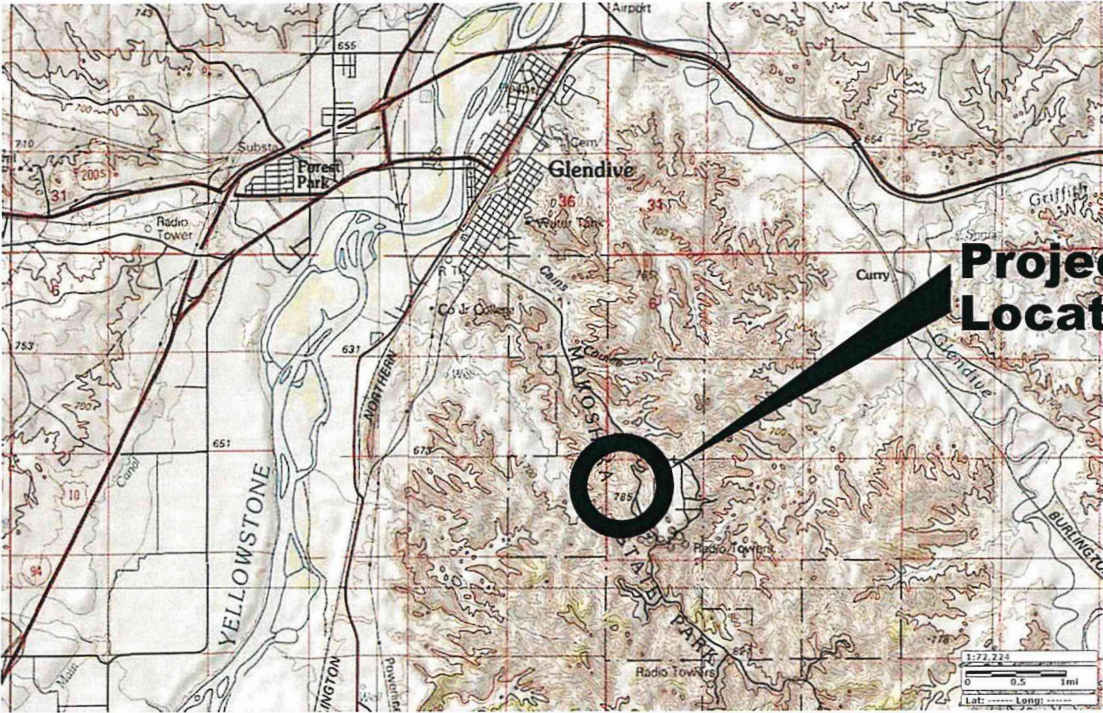
FWP PROJECT #7156104



Location Map

No Scale

Project Location



Vicinity Map

No Scale



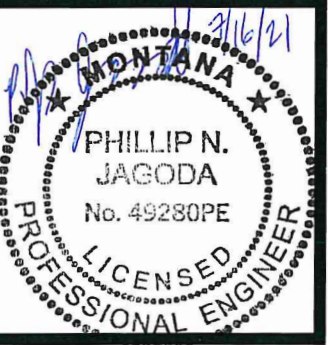
MONTANA FISH, WILDLIFE AND PARKS
DESIGN AND CONSTRUCTION

MAILING ADDRESS: PO BOX 200701
HELENA, MT 59620-0701
TEL 406.841.4000
FAX 406.841.4004
fwp.mt.gov/Doing Business/Design&Construction

PHYSICAL ADDRESS: 1522 9th AVENUE
HELENA, MT 59601

DRAWING INDEX

- | | |
|-----------------------------------|-----------------------------------|
| 1 COVER SHEET | 8 S0.4 YURT DETAILS |
| 2 PRELIMINARY YURT/DECK SITE PLAN | 9 S0.5 YURT ELEVATION |
| 3 PRELIMINARY YURT/DECK PLAN | 10 S1.1 FOUNDATION PLAN |
| 4 PRELIMINARY YURT/DECK ELEVATION | 11 S2.1 MAIN PLATFORM BEAM PLAN |
| 5 S0.1 STRUCTURAL NOTES | 12 S2.2 PLATFORM SIP PANEL LAYOUT |
| 6 S0.2 YURT DETAILS | |
| 7 S0.3 YURT DETAILS | |



B. Mangum 3/29/2021
DRAWN BY: DATE:
CHECKED BY: DATE:

APPROVED BY: DATE:
APPROVED BY: DATE:

APPROVED BY: DATE:
APPROVED BY: DATE:



**MONTANA FISH,
WILDLIFE & PARKS**

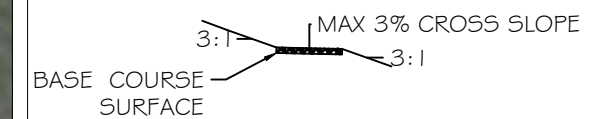
Cover Sheet
Makoshika State Park



SHEET: 1 of 12



WALKING PATH DETAIL



- Notes:
1. Maintain max 3% cross-slope on path.
 2. $\frac{3}{4}$ " Minus or approved equal for base course surface.
 3. Salvage top soil to place on adjacent slopes.
 4. Native dry land seed mix for revegetation to be approved by Park Manager.

KH 6/30/21
 DRAWN BY: DATE:
 ? ?
 CHECKED BY: DATE:

REVISED BY: DATE:
 APPROVED BY: DATE:

APPROVED BY: DATE:
 APPROVED BY: DATE:

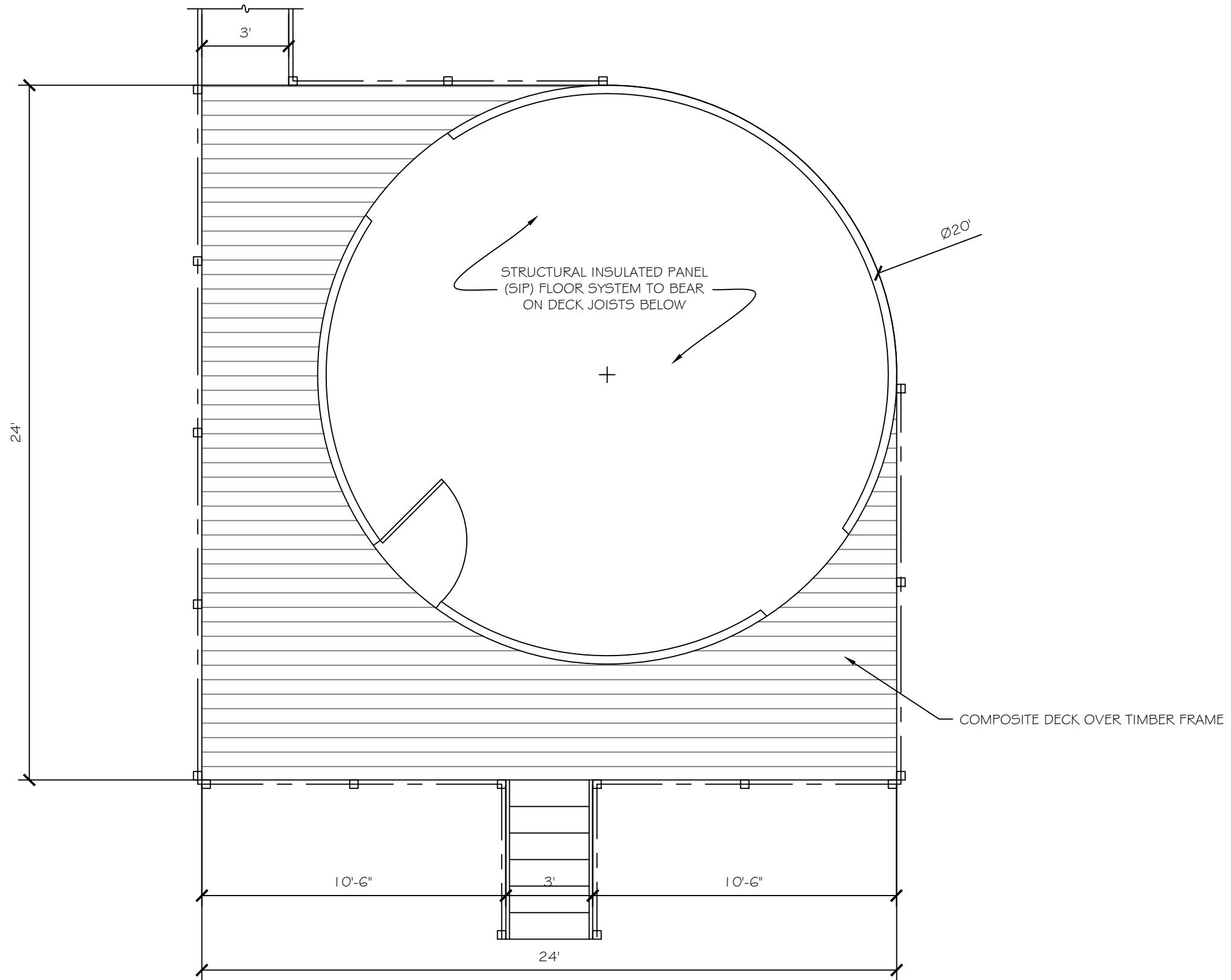


**MONTANA FISH,
WILDLIFE & PARKS**

**Site grading plan
Makoshika State Park**



SHEET: 2
of 12



Preliminary Yurt/Deck Plan

B. Mangum	3/29/2021	APPROVED BY:	DATE:	APPROVED BY:	DATE:
DRAWN BY:	DATE:	APPROVED BY:	DATE:	APPROVED BY:	DATE:
CHECKED BY:	DATE:	APPROVED BY:	DATE:	APPROVED BY:	DATE:

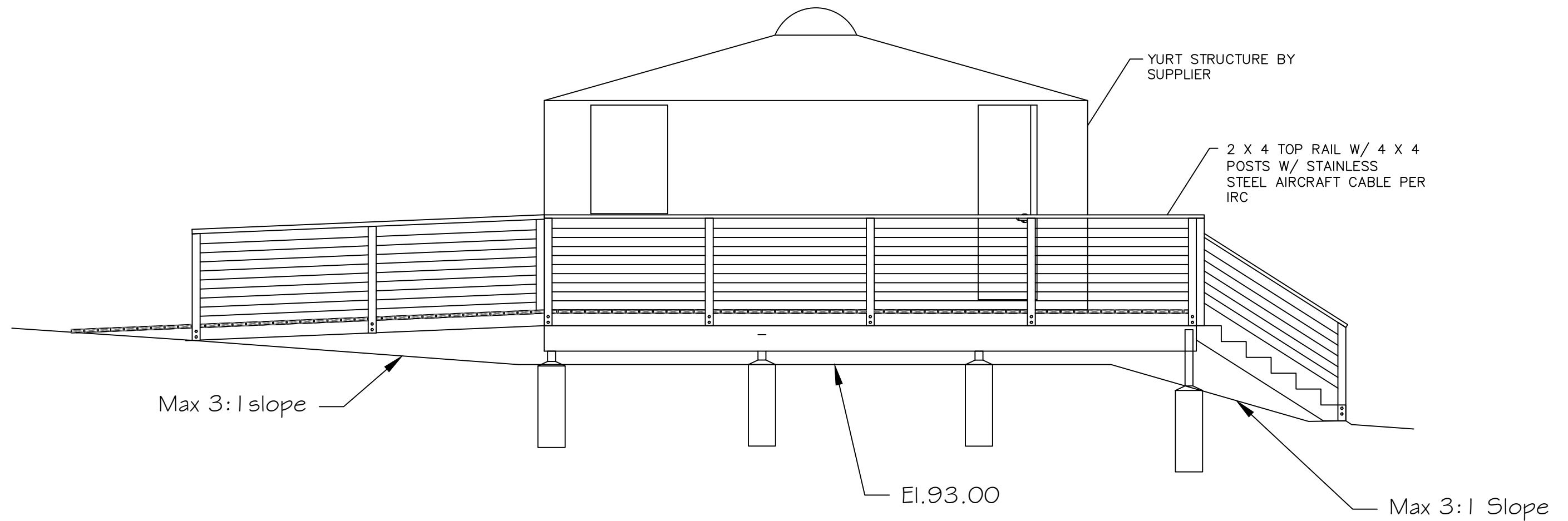


**MONTANA FISH,
WILDLIFE & PARKS**

Yurt/Deck Plan
Makoshika State Park



SHEET:
3
of
12



YURT/DECKELEVATION

B.Mangum 3/29/2021
 DRAWN BY: DATE:
 CHECKED BY: DATE:

REVISED BY: DATE:
 APPROVED BY: DATE:

APPROVED BY: DATE:
 APPROVED BY: DATE:

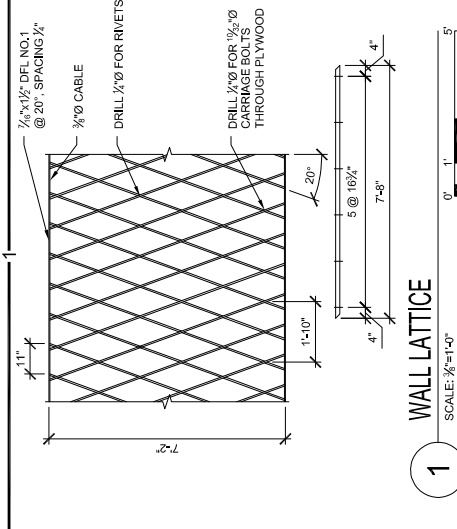


**MONTANA FISH,
 WILDLIFE & PARKS**

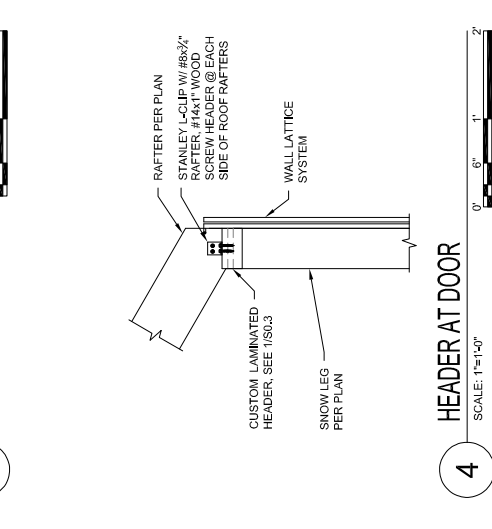
**Yurt/Deck Plan
 Makoshika State Park**



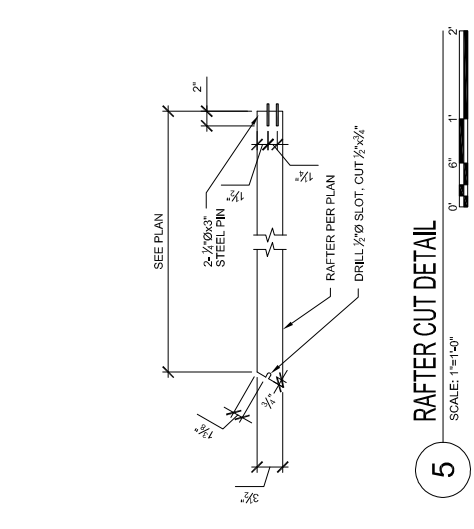
SHEET: 4
 of 12



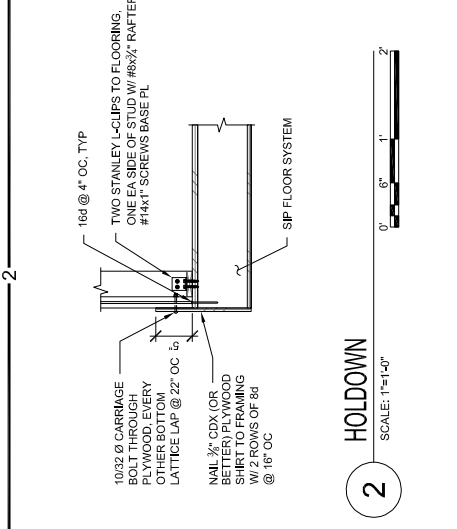
1 WALL LATTICE
SCALE: 1/8"=1'-0"



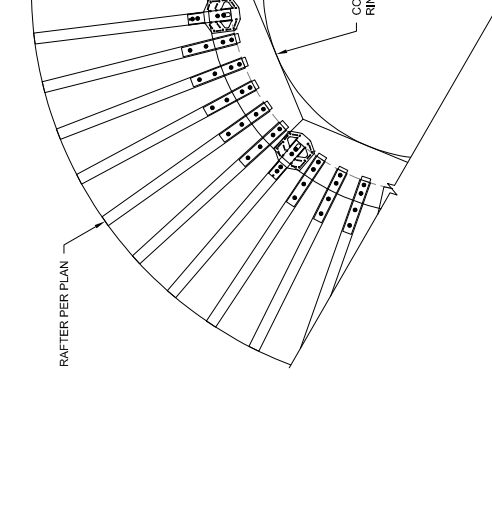
4 HEADER AT DOOR
SCALE: 1/8"=1'-0"



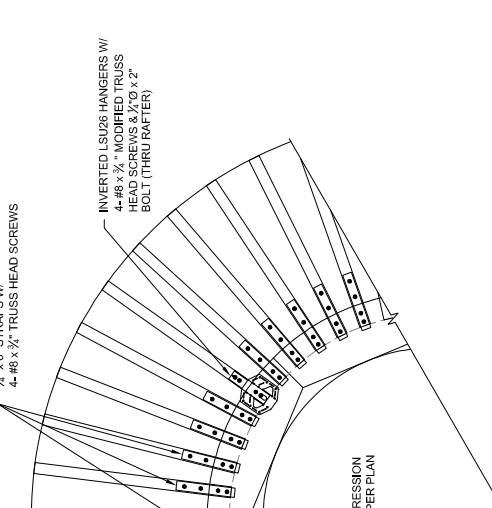
5 RAFTER CUT DETAIL
SCALE: 1/8"=1'-0"



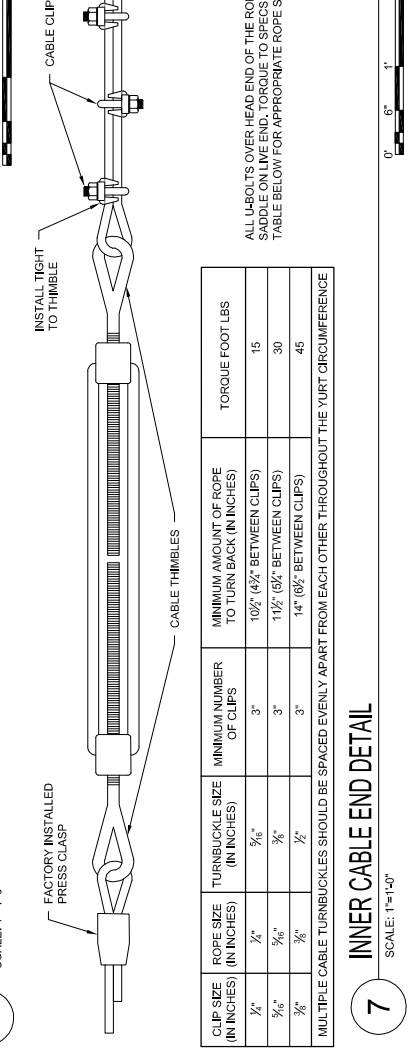
2 HOLDOWN
SCALE: 1/8"=1'-0"



3 CABLE END DETAIL
SCALE: 1/8"=1'-0"



6 RAFTER TO COMPRESSION RING CONNECTION
SCALE: 1/8"=1'-0"



7 INNER CABLE END DETAIL
SCALE: 1/8"=1'-0"

CLIP SIZE (IN INCHES)	ROPE SIZE (IN INCHES)	TURNBUCKLE SIZE (IN INCHES)	MINIMUM NUMBER OF CLIPS	MINIMUM AMOUNT OF ROPE TO TURN BACK (IN INCHES)	TORQUE FOOT LBS
1/4"	3/4"	3/8"	3"	10 1/2" (4 1/2" BETWEEN CLIPS)	15
3/8"	5/8"	1/2"	3"	11 1/2" (5 1/4" BETWEEN CLIPS)	30
1/2"	3/4"	3/4"	3"	14" (6 1/2" BETWEEN CLIPS)	45

MULTIPLE CABLE TURNBUCKLES SHOULD BE SPACED EVENLY APART FROM EACH OTHER THROUGHOUT THE YURT CIRCUMFERENCE

ALL LUBRANTS OVER HEAD END OF THE ROPE SADDLE ON LIFE END, TORQUE TO SPECS IN TABLE BELOW FOR APPROPRIATE ROPE SIZE.

PROJECT IDEN.
20'-0" Yurt & Platform
Mikoshika State Park
GLENDEIVE, MT

ISSUE BLOCK	DATE	ISSUE
	3/26/2021	- ISSUE

MANAGEMENT
PROJECT NO.: 21141-0076
DRAWN BY: TRM
CHECKED BY: IMKN

SHEET TITLE
DETAILS

SHEET IDENTIFICATION
S0.2
6 OF 12

